



## Accessories For S-type load cell

Material: Stainless steel, standard dimension for S-type load cell

### Swinging Rings



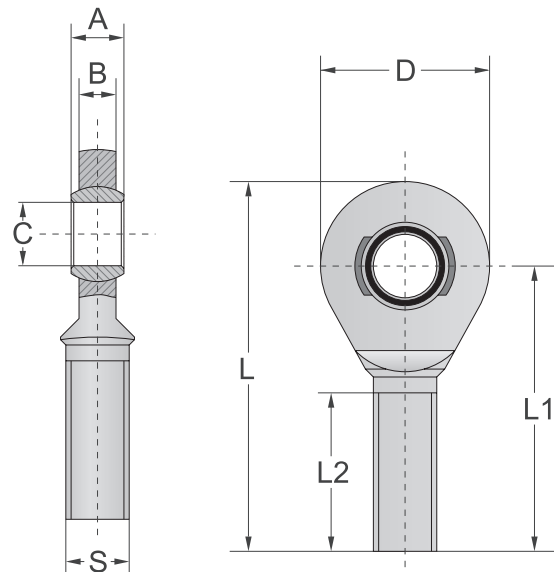
#### Screw size

M10\*1.5

M12\*1.75

M20\*1.5

### Oscillating Bearing



A	B	C	D	L	L1	L2	S
10	7	Ø12	Ø32	70	54	33	1/2"-20UNF
9	6	Ø10	Ø28	62	48	29	M10×1.5
10	7	Ø12	Ø32	70	54	33	M12×1.75

A	B	C	D	L	L1	L2	S
14	10	Ø17	Ø44	91	69	42	M18×1.5
16	14	Ø20	Ø60	111	81	45	M18×1.5