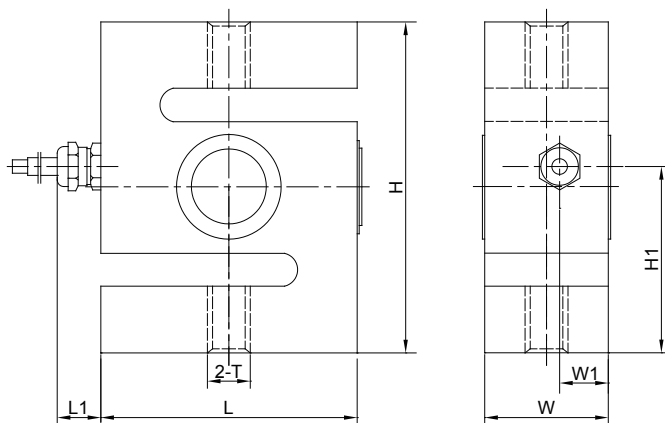


- S-Type load cell
- Senior stainless steel
- All sealed by welding
- Easy to install, stable & reliable
- Suitable for tension measurement, batching systems, blending & mixing systems, belt scales, etc.

**Specification**

<b>Rated Output(mV/V):</b> 2.0±0.002	<b>Zero Balance:</b> ±1%FS	<b>Safe Overload:</b> 150%	<b>Cable Length:</b> 5m
<b>Nonlinearity:</b> ±0.017%FS	<b>Hysteresis:</b> ±0.017%FS	<b>Repeatability:</b> ±0.01%FS	<b>IP Class:</b> IP68
<b>Creep(30min.):</b> ±0.017%FS	<b>Input Resistance:</b> 385±4 ohms	<b>Output Resistance:</b> 350±1 ohms	<b>Cable Color Code:</b> Green..... + EXC Black..... - EXC White..... + SIG Red..... - SIG Yellow..... + SEN Blue..... - SEN
<b>Insulation Resistance:</b> ≥5000M ohms	<b>Excitation Voltage:</b> 5~15V DC(20V MAX)	<b>Material:</b> Stainless steel	
<b>Temperature:</b> Compensated Range -10°C~+40°C	<b>Temperature:</b> Operating Range -40°C~+65°C		
<b>Temp. Effect on Zero:</b> ≤0.002%FS/°C	<b>Temp. Effect on Output:</b> ≤0.002%FS/°C		

**Dimensions(mm)**



RATED CAPACITY	L	H	W	T	W1	H1	L1
kg/mm							
200~300	62	80	30	M10x1	10	47.5	17
500	62	80	30	M12x1	10	47.5	17
1000	70	90	30	M12x1	10	52.5	17
2000	71	90	45	M16x1.5	17.5	50	17
3000	80	100	50	M18x1.5	19.5	58.5	17
5000	92	130	58	M20x2	23.5	72.5	17

**Order Information**

LOAD RATING	
FTSH-200kg	FTSH-300kg
FTSH-500kg	FTSH-1t
FTSH-2t	FTSH-3t
FTSH-5t	

**Interchangeable Products**

MANUFACTURER	MODEL
METTLER TOLEDO	TSH