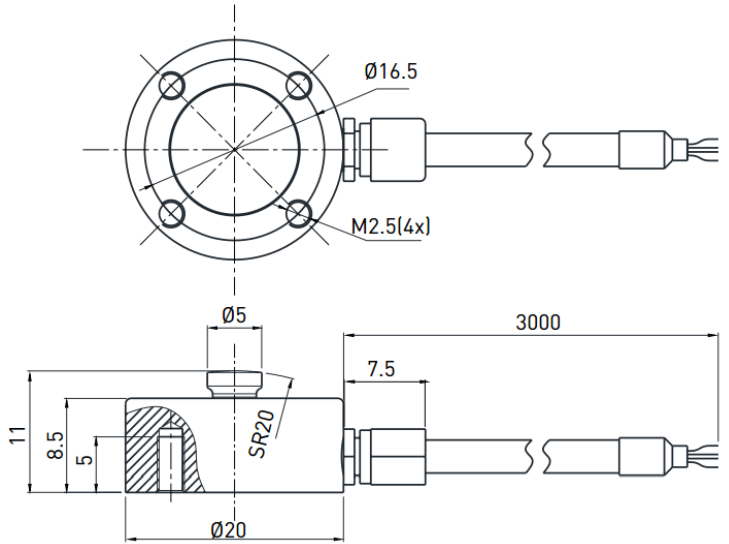
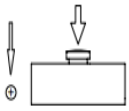


Dimension and Capacity



Features & Applications

- Small size, low profile, small deflection
- Made of stainless steel
- Customizable
- Suitable for force measurement in limited spaces measurement and control, R&D and other applications

Capacity	Material	Weight
5/10/20/50/100/200/500/ 1000/1500/2000kg	Stainless steel	0.1kg

Specification

Rated Capacities	5,10,20,50,100,200,500,1000,1500,2000kg
Rated Output	1.5 mV/V \pm 10%
Zero Balance	\pm 2% F.S.
Non-linearity	0.5%F.S.
Hysteresis	0.2%F.S.
Repeatability	0.1%F.S.
30mins Creep	0.3%F.S.
30mins Return	0.3%F.S.
Safe Overload	120 %F.S.
Ultimate Overload	150 %F.S.
Temperature Effect On Output	0.05 %F.S./10 $^{\circ}$ C
Temperature Effect On Zero	0.05 %F.S./10 $^{\circ}$ C
Input Impedance	350 \pm 10 Ω
Output Impedance	350 \pm 5 Ω
Insulation Impedance	\geq 5000 M Ω /(100VDC)
Recommended Excitation	5 VDC
Maximum Excitation	10 VDC
Operating Temperature Range	-20~60 $^{\circ}$ C
Construction	stainless steel
Protection Class	IP66
Cable	3 m
Mode of Connection	Red (EXC+) ,Black (EXC-) ,Green (SIG+) ,White (SIG-)