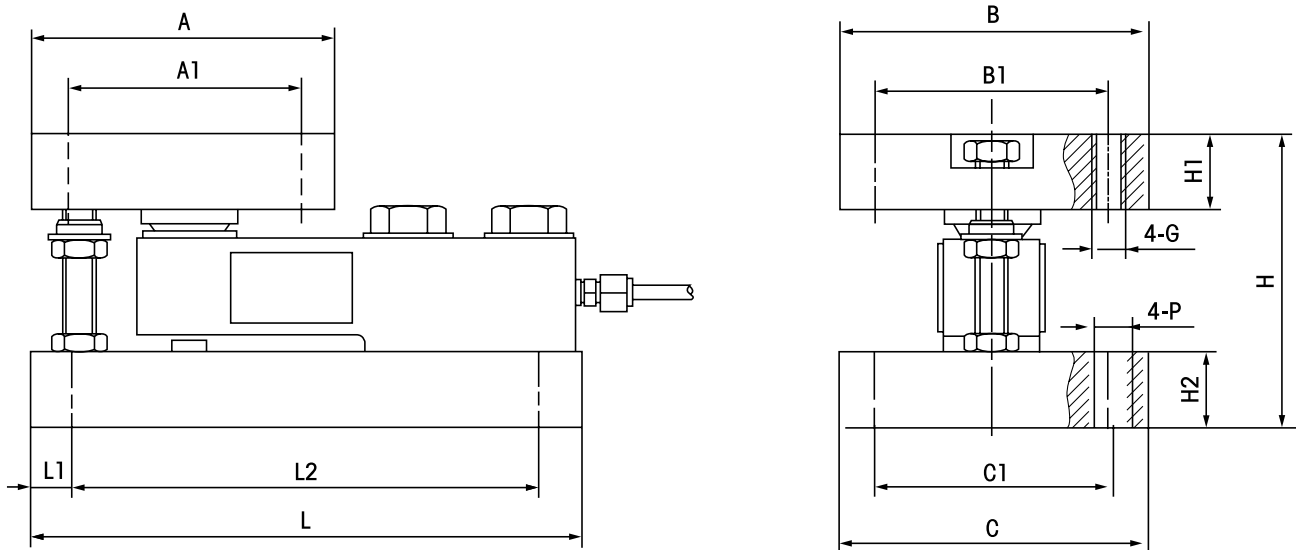


SPECIFICATION

Alloy steel construction
 Hold-down bolt, protect tank from tipping
 Easy installation
 Flexmount, three top plate design
 Stationary, Semifloating, Floating type
 Load cell: FBB
 Cap: 0.3, 0.5, 1, 2, 3, 5, 10, 15, 20T

Outline Drawings (mm)



CAP (t)	L	L1	L2	A	A1	B	B1	C	C1	H	H1	H2	G	P
0.3,0.5,1,2,3	286	32	226	150	124	128	102	112	80	102	28	23	M10	Ø13
5	317.5	32	257	178	146	152	120	152	102	130	38	30	M16	Ø17
10	360	32	295	184	152	154	122	154	106	168	45	45	M20	Ø21
15,20	400	25	350	220	170	220	170	220	170	213	55	55	M24	Ø26