



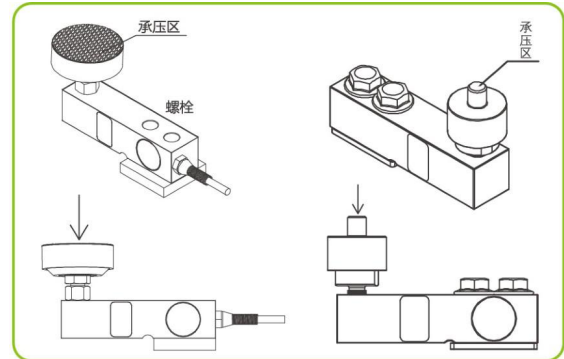
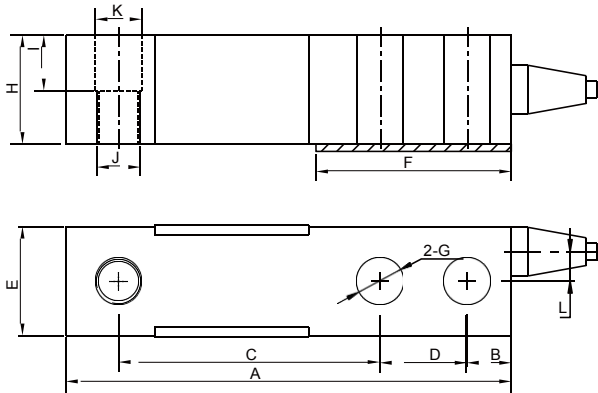
Features

- Single ended shear beam load cell
- Senior alloy steel
- High accuracy
- High stability
- Easy to install
- NTEP, CMC, OIML approved
- Suitable for floor scales, blending & mixing systems, belt scales and batching systems, etc.
- Protected against corrosion by nickel-plated treatment

Specification

Rated Output(mV/V)	3.0±0.003
Zero Balance	±1%FS
Non-linearity	±0.03%FS
Hysteresis	±0.03%FS
Repeatability	±0.03%FS
Creep(30minutes)	±0.03%FS
Input Resistance	387±20 ohms
Output Resistance	350±5 ohms
Safe Overload	150%
Temperature	Compensated Range -10℃~+40℃
Temperature	Operating Range -10℃~+70℃
Insulation Resistance	≥5000M ohms
Excitation Voltage	5~10V DC(15V MAX)
Temp. Effect on Zero	≤0.002%FS/℃
Temp. Effect on Output	≤0.002%FS/℃
Materials	Alloy Steel
Cable Length	6m
IP Class	IP67
Cable Color Code	Red(EXC+),Black(EXC-),Green(SIG+),White(SIG-)

Dimensions



RATED CAPACITY	A	B	C	D	E	F
kg/mm						
113.5(250lb)	130	15.7	76.2	25.4	31.8	57
250~2500	130	15.7	76.2	25.4	31.8	57
2500~7500	171.4	19	95.2	38.1	37.4	76
7500~10000	222.2	25.4	120.6	50.8	50	102

RATED CAPACITY	G	H	I	J	K	L
kg/mm						
113.5(250lb)	Ø13.5	31.8	16.2	1/2"-20 UNF	Ø13.5	10.1
250~2500	Ø13.5	31.8	16.2	M12x1.75	Ø13.5	10.1
2500~7500	Ø19.8	37.4	17.8	M18x1.5	Ø19.8	13
7500~10000	Ø26.2	50.5	25	M24x2	Ø26.2	17

Order Information

LOAD RATING	
FSBS-250lb	FSBS-250kg
FSBS-500kg	FSBS-1t
FSBS-1.5t	FSBS-2t
FSBS-2.5ts	FSBS-2.5t
FSBS-5t	FSBS-7.5ts
FSBS-7.5t	FSBS-10t

Interchangeable Products

MANUFACTURER	MODEL
TRANSCCELL	SBS
CELTRON	SQB