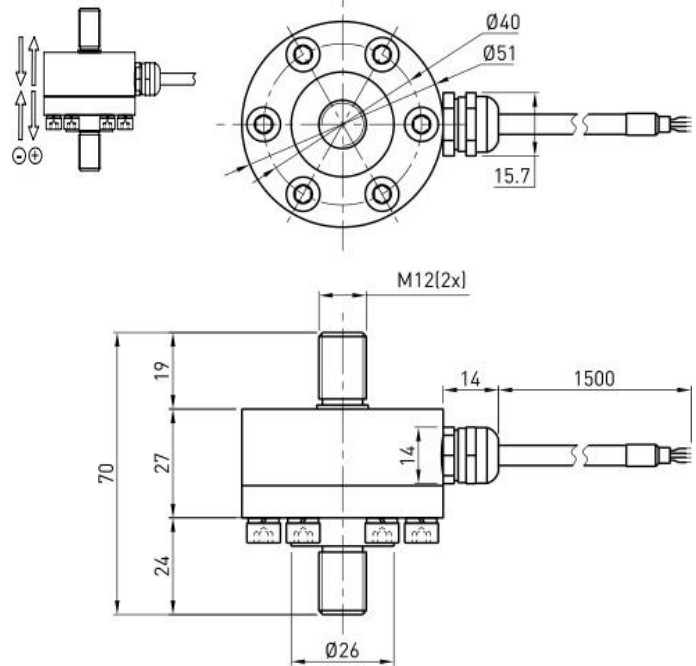


### Dimension and Capacity



### Features & Applications

- Made of stainless steel Class 0.5%FS.
- Low profile, IP66protection
- Tension and compression application
- Mainly used for pull and push dynamometer, hopper scale and industrialmeasuring systems.

CAP (kn)	SIZE(mm)	M	Material	Weight
1/2/5/10/20		M12	Stainless steel	0.6kg

### Specification

Rated Capacities	1,2,5,10,20(KN)
Rated Output	1.5 mV/V±10%
Zero Balance	±2% F.S.
Non-linearity	0.1%R.O.
Hysteresis	0.1%R.O.
Repeatability	0.1%R.O.
30mins Creep	0.1%R.O.
30mins Return	0.1%R.O.
Safe Overload	150 %R.O.
Ultimate Overload	200 %R.O.
Temperature Effect On Output	0.05 %R.O./ °C
Temperature Effect On Zero	0.05 %R.O./ °C
Input Impedance	385±10 Ω
Output Impedance	350±5 Ω
Insulation Impedance	≥5000 MΩ/(50VDC)
Recommended Excitation	10 VDC
Maximum Excitation	15 VDC
Operating Temperature Range	-20~60 °C
Construction	stainless steel
Protection Class	IP66
Cable	1.5 m
Mode of Connection	Red (EXC+),Black (EXC-),Green (SIG+),White (SIG-)