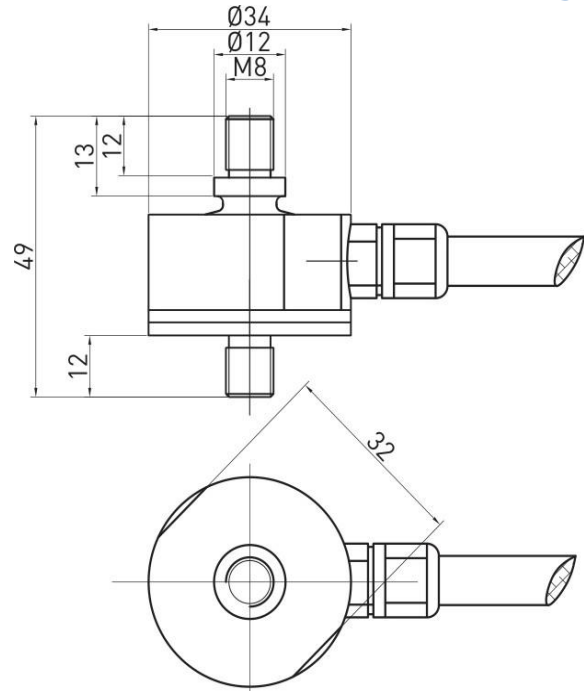


Dimension and Capacity



Features & Applications

- Made of stainless steel
- Low profile, IP67 protection
- Tension and compression application
- Mainly used for pull and push dynamometer, hopper scale and industrial measuring systems, Class:0.5%FS

CAP (kg)	SIZE(mm)	M	Material	Weight
150/200/300/500		M8	Stainless steel	0.1kg

Specification

Rated Capacities	150,200,300,500(kg)
Rated Output	1.5 mV/V±15%
Zero Balance	±2% F.S.
Non-linearity	0.5%R.O.
Hysteresis	0.5%R.O.
Repeatability	0.5%R.O.
30mins Creep	0.1%R.O.
30mins Return	0.1%R.O.
Safe Overload	120 %R.O.
Ultimate Overload	150 %R.O.
Temperature Effect On Output	0.05 %R.O./10°C
Temperature Effect On Zero	0.05 %R.O./10°C
Input Impedance	385±30 Ω
Output Impedance	350±5 Ω
Insulation Impedance	≥5000 MΩ/(50VDC)
Recommended Excitation	10 VDC
Maximum Excitation	15 VDC
Operating Temperature Range	-20~60 °C
Construction	stainless steel
Protection Class	IP67
Cable	3 m
Mode of Connection	Red (EXC+),Black (EXC-),Green (SIG+),White (SIG-)