

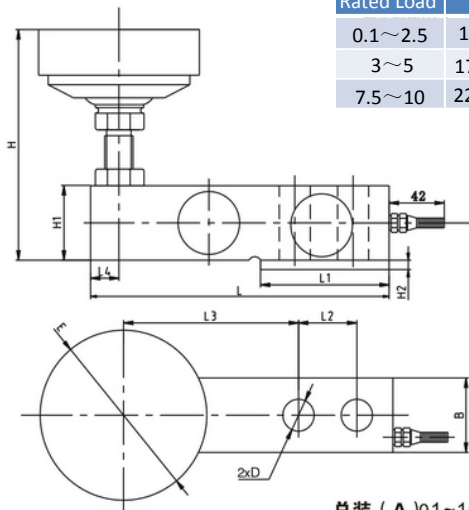
Specification

- Alloy steel construction
- Hold-down bolt, protect tank from tipping
- Easy installation
- Flexmount, three top plate design
- Stationary, Semifloating, Floating type Load cell: FBK
- Cap: 0.3, 0.5, 1, 1.5, 2, 3, 5, 10, 15, 20T

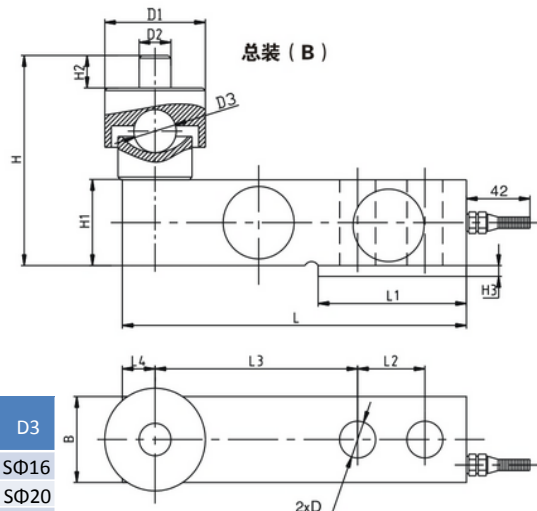
Dimensions(mm)

额定载荷(t) Rated Load	L	L1	L2	L3	L4	B	H	H1	H2	H3	D	D1	D2	D3
0.1~2.5	130	53.5	25.4	76.2	12.7	31.8	77.8	31.8	12	4	Φ1	Φ38	Φ12	SΦ16
3~5	171.5	72.5	38.1	95.3	19	38.1	94.1	38.1	10	6	Φ2	Φ50	Φ16	SΦ20
7.5~10	225.5	102	50.8	124	25.3	50.8	130	50.8	10	8	Φ27	Φ64	Φ20	SΦ32

总装 (B) 0.1~10t 钢球压头 附件 Installation B : feet

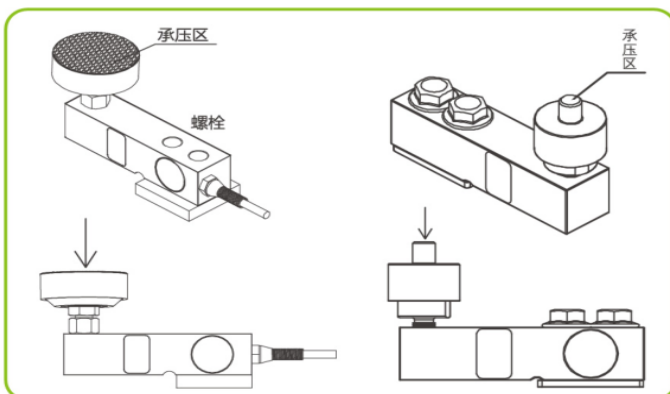


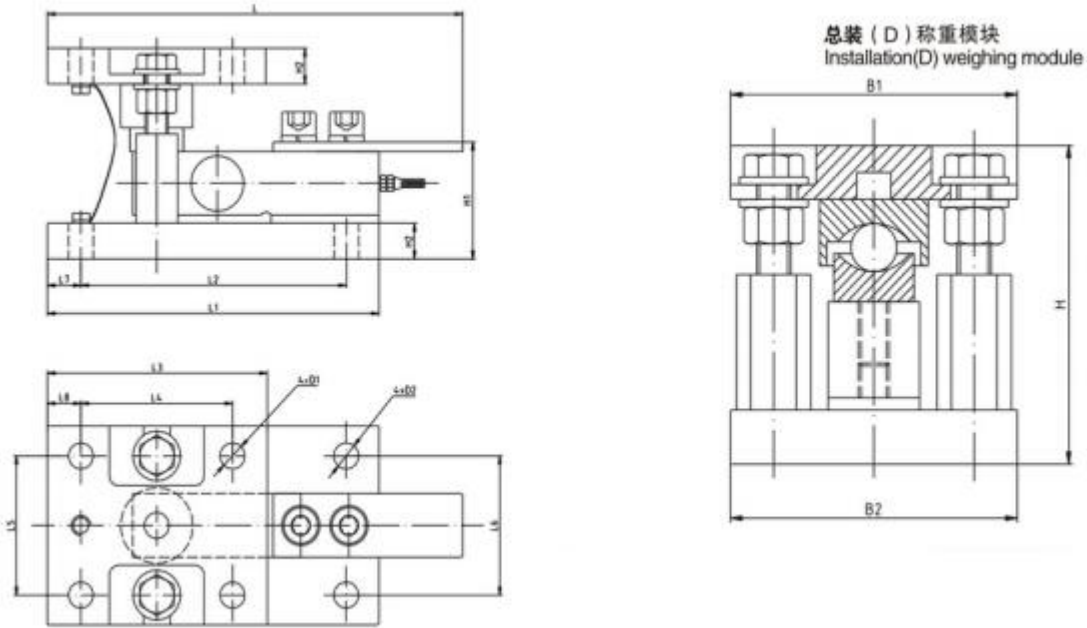
总装 (A) 0.1~10t 活动压头附件
Installation A : feet



总装 (B)

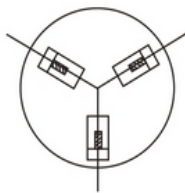
额定载荷(t) Rated Load	L	L1	L2	L3	L4	B	H	H1	H2	H3	D	D1	D2	D3
0.1~2.5	130	53.5	25.4	76.2	12.7	31.8	77.8	31.8	12	4	Φ13	Φ38	Φ12	SΦ16
3~5	171.5	72.5	38.1	95.3	19	38.1	94.1	38.1	10	6	Φ20	Φ50	Φ16	SΦ20
7.5~10	225.5	102	50.8	124	25.3	50.8	130	50.8	10	8	Φ27	Φ64	Φ20	SΦ32



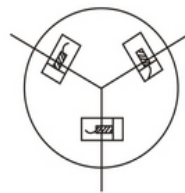


额定载荷(t) Rated Load	H	H1	H2	B1	B2	D1	D2	L	L1	L2	L3	L4	L5	L6	L7	L8
0.1~2.5	106	58	18	100	100	Φ13	Φ13	210	175	140	116	80	70	70	17.5	18
3~5	135	69.1	23	150	150	Φ17	Φ17	270	235	200	150	100	90	90	15	25
7.5~10	186.3	91.3	38上 28.5下	180	180	Φ26	Φ26	345.2	310	250	210.4	150.4	110	110	30	30

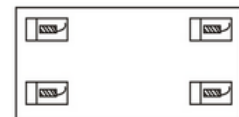
0.1~5t称重模块
Weighing module installation



径向安装Radial mounting



切向安装Cutting mounting



矩形安装Rectang mounting