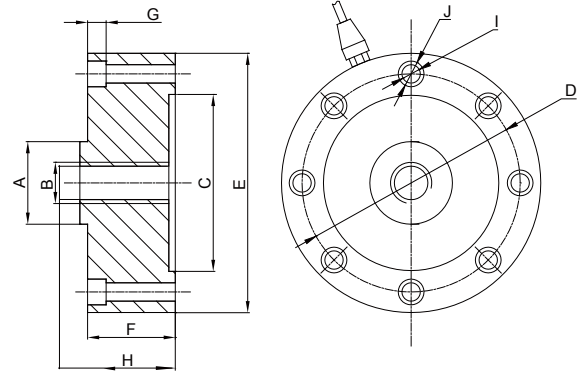


0.05-5t



10t-30t



### Dimensions

RATED CAPACITY	A	B	C	D	E	F	G	H	I	J
kg/mm										
50~5000	Ø32	M16x1.5	Ø75	Ø89	Ø105	34	7.2	37	8xØ7.5	8xØ10.5
10000~20000	Ø39	M32x1.5	Ø83	Ø101.8	Ø120.6	41	10.5	53.5	8xØ8.5	8xØ14
30000	Ø50.4	M40x1.5	Ø96.9	Ø116.8	Ø141	50.8	11	57.2	8xØ11	8xØ18
kN/mm										
0.5~50	Ø32	M16x1.5	Ø75	Ø89	Ø105	34	7.2	37	8xØ7.5	8xØ10.5
100~200	Ø39	M32x1.5	Ø83	Ø101.8	Ø120.6	41	10.5	53.5	8xØ8.5	8xØ14
300	Ø50.4	M40x1.5	Ø96.9	Ø116.8	Ø141	50.8	11	57.2	8xØ11	8xØ18

### Specification

Rated Output	3.0mV/V±0.25%
Zero Balance	±1%R.O.
Creep after 30 minutes	±0.03%R.O.
Non-linearity	±0.03%R.O.
Hysteresis	±0.03%R.O.
Repeatability	±0.03%R.O.
Temp.effect on output	≤0.002%R.O./°C
Temp.effect on zero	≤0.002%R.O./°C
Safe Temp.Range	-10°C to +70°C
Temp.Compensated	-10°C to +40°C
Safe Overload	150%
Input Impedance	775 ohm ± 20 ohm / 387 ohm ± 20 ohm (≤20t)
Output Impedance	700 ohm ±5 ohm/350 ohm ±5 ohm(≤20t)
Insulation Resistance	≥25000M ohm(50V DC)
Rated Excitation	10V DC/AC
Maximum Excitation	15V DC/AC
Cable Length	6m/10m
Cable Color Code	Red(EXC+),Black(EXC-),Green(SIG+),White(SIG-)

### Order Information

LOAD RATING		
FTB-500N(50kg)	FTB-1kN(100kg)	FTB-2kN(200kg)
FTB-5kN(500kg)	FTB-10kN(1t)	FTB-20kN(2t)
FTB-30kN(3t)	FTB-50kN(5t)	FTB-100kN(10t)
FTB-20kN(20t)	FTB-300kN(30t)	

### Interchangeable Products

MANUFACTURER	MODEL
TRANSCCELL	DBSL