



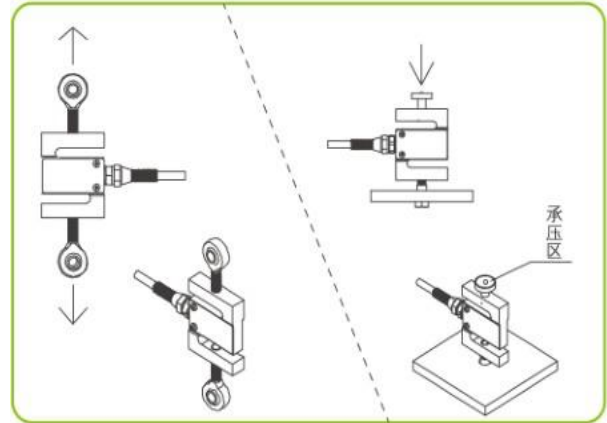
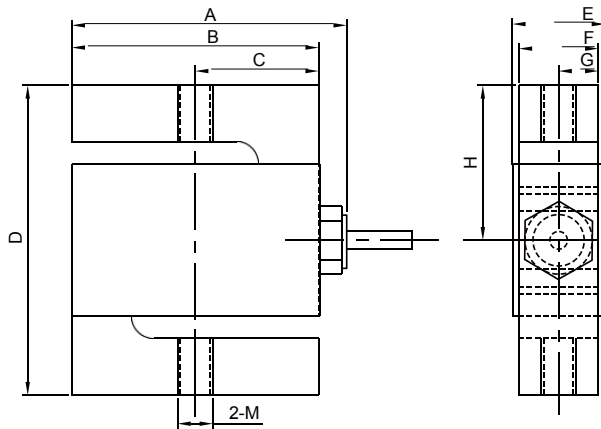
Features

- S-Type load cell
- Senior aluminum
- Easy to install, stabile & reliable
- Suitable for tension measurement, batching systems, industrial scales and package systems, etc.

Specification

Rated Output(mV/V)	2.0±0.002
Zero Balance	±1%FS
Safe Overload	150%
Cable Length	4m
Non-linearity	±0.03%FS
Hysteresis	±0.03%FS
Repeatability	±0.03%FS
IP Class	IP66
Creep(30min.)	±0.03%FS
Input Resistance	410±5 ohms
Output Resistance	350±3 ohms
Insulation Resistance	≥5000M ohms
Excitation Voltage	5~10V DC(15V MAX)
Material	Aluminum
Temperature	Compensated Range -10°C~+40°C
Temperature	Operating Range -20°C~+70°C
Temp. Effect on Zero	≤0.002%FS/°C
Temp. Effect on Output	≤0.002%FS/°C
Cable Color Code	Red(EXC+),Black(EXC-),Green(SIG+),White(SIG-)

Dimensions



RATED CAPACITY	A	B	C	D	E	F	G	H	M
kg/mm									
5~100	64	56	28	70	21	18	9	35	M8x1.25
N/mm									
50~1000	64	56	28	70	21	18	9	35	M8x1.25

Order Information

LOAD RATING	
FSTB-50N(5kg)	FSTB-100N(10kg)
FSTB-200N(20kg)	FSTB-300N(30kg)
FSTB-500N(50kg)	FSTB-1000N(100kg)

Interchangeable Products

MANUFACTURER	MODEL
TRANSCCELL	BAB