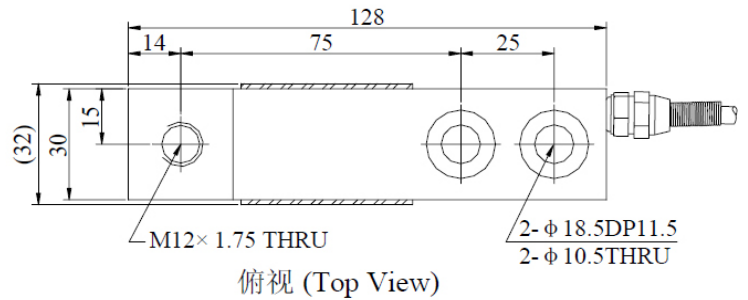
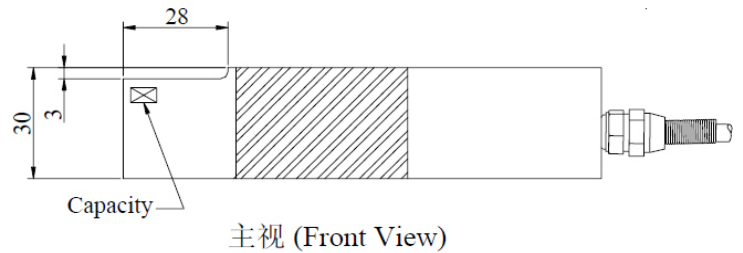
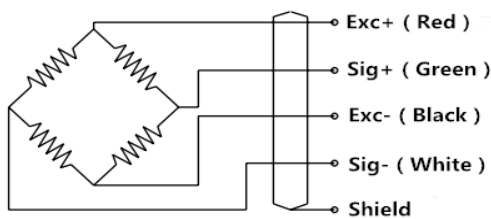


Dimensions(mm)



Schematic Wiring Diagram



Specification

Rated Capacities	100,200,300,500(kg)
Rated Output	2.0 mV/V±0.15%
Zero Balance	±0.0200 mV/V
Non-linearity	0.03 %R.O.
Hysteresis	0.03 %R.O.
Repeatability	0.03 %R.O.
30mins Creep	0.03 %R.O.
30mins Return	0.03 %R.O.
Safe Overload	150 %R.O.
Ultimate Overload	200 %R.O.
Temperature Effect On Output	0.002 %R.O./°C
Temperature Effect On Zero	0.003 %R.O./°C
Input Impedance	410±15 Ω
Output Impedance	350±5 Ω
Insulation Impedance	≥5000 MΩ/(50VDC)
Recommended Excitation	5~12 VDC
Maximum Excitation	15 VDC
Operating Temperature Range	-20~60 °C
Construction	Aluminum Alloy
Protection Class	IP66 / IP67
Cable	φ5×2.0m
Mode of Connection	Red (EXC+),Black (EXC-),Green (SIG+),White (SIG-)