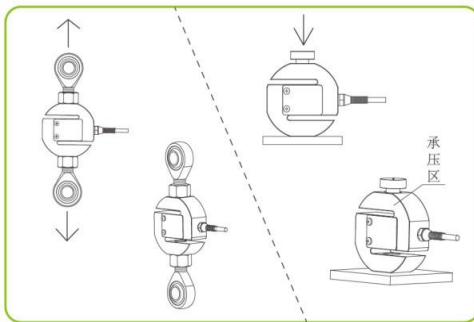


Rated Load (kg)	D	B	W	H
20,50,75,100,150	M8X1	12	70	64
200,250,300,350	M12X1.75	20	70	64
1000	M12X1.75	25	70	64
2000	M20X1.5	32	86	92
3000	M20X1.5	32	86	92



- Capacities: 20 to 3000kg
- Alloy steel construction

Specification

Rated Capacities	20,50,75,100,150,200,250,300,350,1000,2000,3000(kg)
Rated Output	2.0 mV/V±0.002
Zero Balance	1 %R.O.
Non-linearity	0.02 %R.O.
Hysteresis	0.02 %R.O.
Repeatability	0.02 %R.O.
30mins Creep	0.03 %R.O.
30mins Return	0.03 %R.O.
Safe Overload	150 %R.O.
Ultimate Overload	200 %R.O.
Temperature Effect On Output	0.0017 %R.O./°C
Temperature Effect On Zero	0.002 %R.O./°C
Input Impedance	375±5 Ω
Output Impedance	350±3 Ω
Insulation Impedance	≥5000 MΩ
Recommended Excitation	10 VDC
Maximum Excitation	15 VDC
Operating Temperature Range	-30~80°C
Storage Temperature Range	-30~85°C
Construction	Alloy steel
Protection Class	IP67
Cable	3.5m
Mode of Connection	Red(Exc+),Black(Exc-),Green(Sig+),White(Sig-)